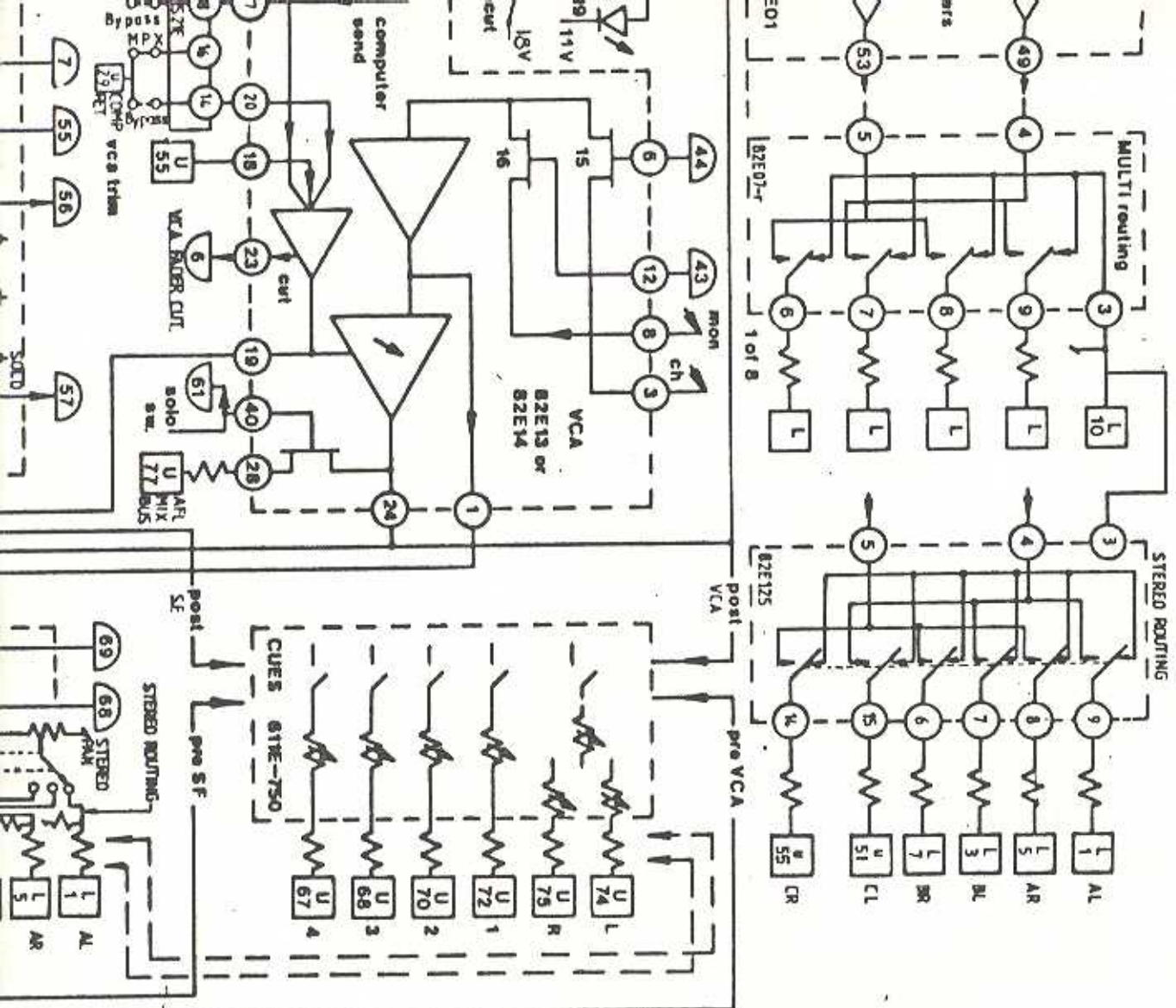
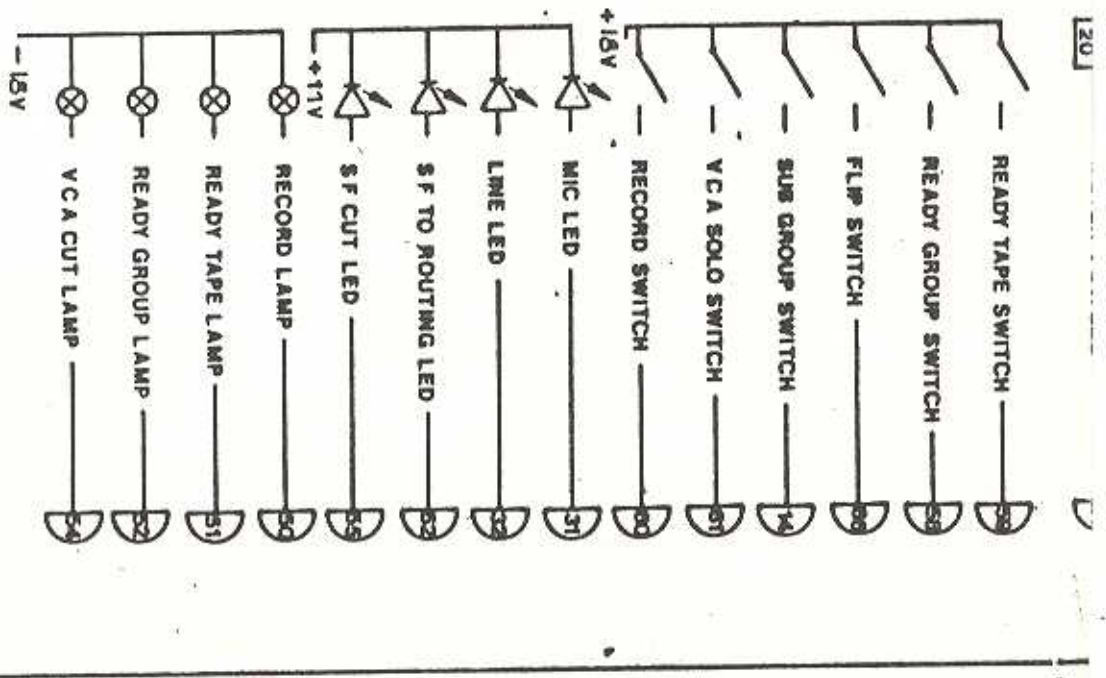
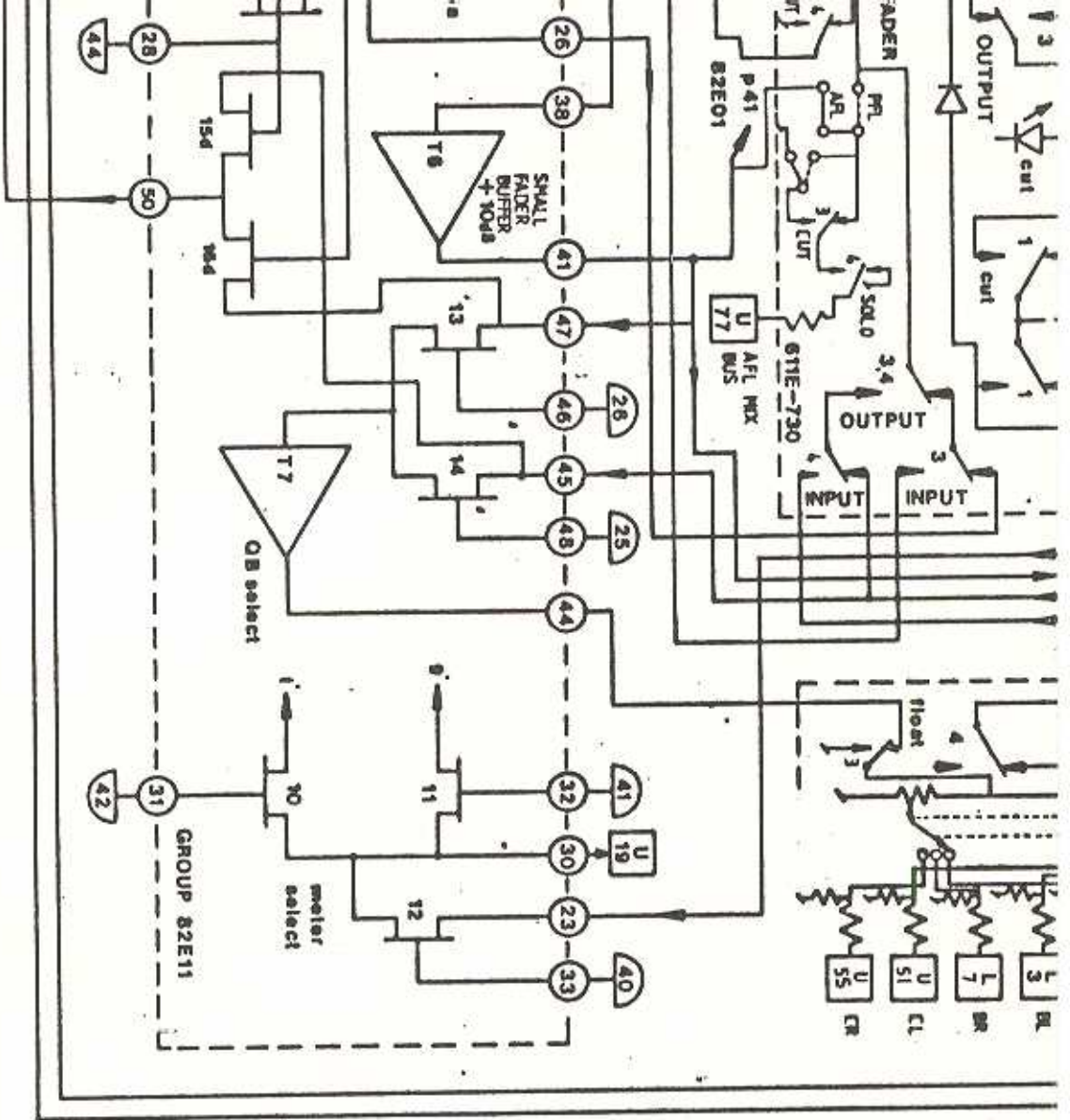


- TOP VIEW
FRONT PANEL 5
- U 611 EDGE CONNECTOR UPPER
 - L 611 EDGE CONNECTOR LOWER
 - Logic PC EDGE CONNECTOR 82E12
 - DAUGHTER PC EDGE CONNECTOR
 - CHES



- U 66
- U 51
- U 52 — SPARE BUS — 71
- U 65 — VCA TO METERS — 1
- U 64 — SOLO DEFEAT — 2
- U 63 — STATUS RECORD — 3
- U 62 — MACHINE RECORD — 4
- U 60 — STATUS MIX — 8
- U 53 — STATUS BROADCAST — 70
- U 58 — SLATE CONTROL — 10
- U 57 — VCA TO MONITOR — 11
- U 27 — RECORD CONTACT C — 15
- U 26 — RECORD CONTACT B — 16
- U 25 — RECORD CONTACT A — 17
- U 24 — RECORD CONTACT D — 5
- U 23 — METER RECORD LED — 18
- U 22 — METER GROUP LED — 19
- U 21 — METER TAPE LED — 20



Rev	Date	Ckd.	Details
1	Oct 85		LINKS AT EQ SWITCH 7 ALTERED.

APPROVALS		DATE
DRAWN	J. EVINS.	19-5-80
CHECKED	C. SANDERS	19-5-80
REUSED	J. EVINS.	19-5-80

CONTRACT NO. _____

Solid State Logic
Bromford - Oxford - England

I-O MODULE BLOCK SCHEMATIC 611V

SIZE / PCB NO. A1 / DWG NO. T0611V.71

LM